

UCFB | Self-aligning brackets

side flanged, technopolymer

INCH

RoHS

PA

PP

+140 °F
-4 °F

- 1
- 2
- 3
- 4
- 5
- 6
- 7
- 8
- 9
- 10
- 11
- 12
- 13
- 14
- 15

BRACKET

Glass-fibre reinforced polyamide based (PA) technopolymer, black colour, matte finish.

BUSHINGS AND WASHERS

AISI 304 stainless steel.

BEARING

High quality with traceability codes. Chrome steel.

LUBRICATOR

Nickel-plated brass.

PACKING RINGS

NBR rubber.

COVER

Glass-fibre reinforced polypropylene based (PP) technopolymer, RAL 7015 grey colour, matte finish.

Closed cover for head bracket or for pass-through shafts.

STANDARD EXECUTIONS

- **UCFB-T**: head bracket with closed cover.
- **UCFB-P**: bracket for pass-through shaft with drilled cover and NBR rubber packing ring for rotating shafts.

FEATURES AND APPLICATIONS

Overall dimensions are in compliance with ISO 3228.

A system of completely sealed packing rings assures the protection of the bearing from dirt ingress. Max shaft misalignment = 2,5°.

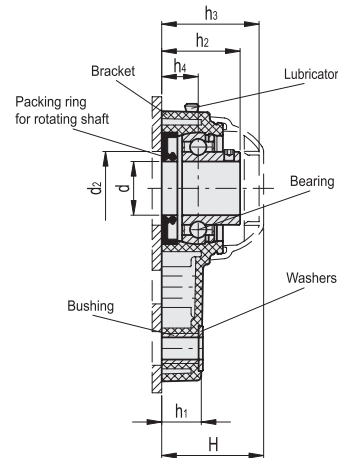
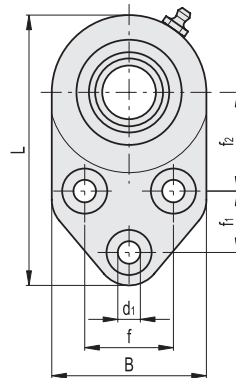
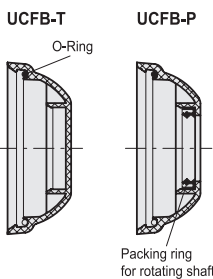
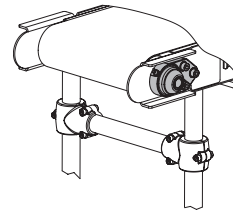
INSTRUCTIONS OF USE

Assembly with shafts without end stops. For optimum operation, we recommend periodic lubrication with a common grease resistant to high temperatures and oxidation.

SPECIAL EXECUTIONS ON REQUEST

- AISI 440C stainless steel bearing.
- Bearing in metric sizes.
- Brackets for shafts with diameters in different sizes.
- Brackets in polypropylene based (PP) technopolymer, packing rings and oil seal type VITON®*.

* Registered trademark by DuPont Dow Elastomers.



INCH

Code	Description	d	d1	d2 min	d2 max	H	L	B	f	fi	f2	h1	h2	h3	h4	Bearing static load [lbf]	Bearing dynamic load [lbf]	Bracket load [lbf]	
90419554	UCFB.205-D-1-T	1.000	0.41	1.77	1.97	1.95	4.96	2.83	1.63	1.13	1.81	0.75	1.44	1.85	0.67	1568	3136	2016	0.78
90419564	UCFB.206-D-1¼-T	1.250	0.41	1.97	2.36	2.19	5.59	3.35	1.87	1.26	2.06	1.04	1.64	2.09	0.81	2464	4256	2464	1.03
90419534	UCFB.205-D-1-P	1.000	0.41	1.77	1.97	1.95	4.96	2.83	1.63	1.13	1.81	0.75	1.44	-	0.67	1568	3136	2016	0.79
90419544	UCFB.206-D-1¼-P	1.250	0.41	1.97	2.36	2.19	5.59	3.35	1.87	1.26	2.06	1.04	1.64	-	0.81	2464	4256	2464	1.05

Levelling elements and supports